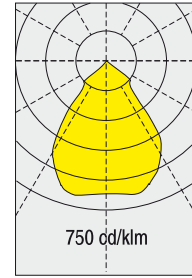
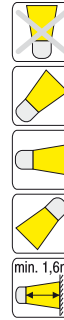


Floodlight, max 2x400W HPS/MH

STP 76 - 2400



IP 67

E 40

Type	Light source	Light source power	Lampholder type	Weight
STP 76 - 2400	sodium or metal-halide lamp	2 x 250 W or 2 x 400 W	E 40	11,8 kg

Application
decks, holds, industrial areas, etc.

Approvals
according to the rules of relevant classification societies, additional IEC

Housing
stainless steel seamless deep drawn, powder coated white

Diffuser
safety glass
Reflector
aluminium anodized
Lamps (not included)
high pressure sodium (HPS) lamp, metal halide (MH) lamp 250W/400W
Electric
230V, flexible wiring, high temperature resistant

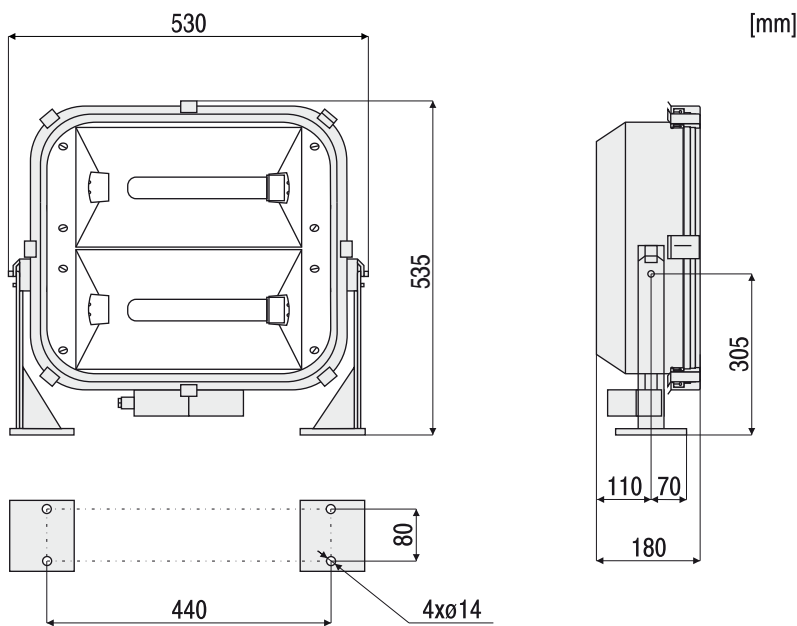
Cable entry
junction box, 2 cable glands brass, M24x1.5, with earthing insert

Mounting
adjustable bracket, stainless steel, 4 mounting holes, $\varnothing 14$ mm

Electrical connection
see finish section

Remark
ballast unit VGP 76 - has to be ordered separately

1.05



OPTIONS

SC-Glands for screen cable