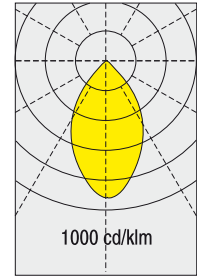
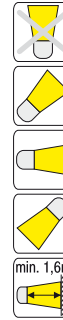


IP 67

max. 240V

R7s



Type	Supply voltage	Light source	Light source power	Lampholder type	Weight
STP 76 - 0500	220 -240 V AC / DC	halogen lamp	max 500 W /114,2 mm/	R 7s	5,3 kg

Application
decks, holds, industrial areas, etc.

Approvals
according to the rules of relevant classification societies, additional IEC

Housing
stainless steel seamless deep drawn, powder coated white

Diffuser
safety glass

Reflector
aluminium anodized

Lamps (not included)
halogen lamp 200W, 300W, 500W, 114.2mm

Electric
230V, flexible wiring, high temperature resistant

Cable entry
junction box, 1 cable gland brass, M24x1.5 with earthing insert

Mounting
adjustable bracket, stainless steel, 4 mounting holes, \varnothing 10 mm and \varnothing 14 mm

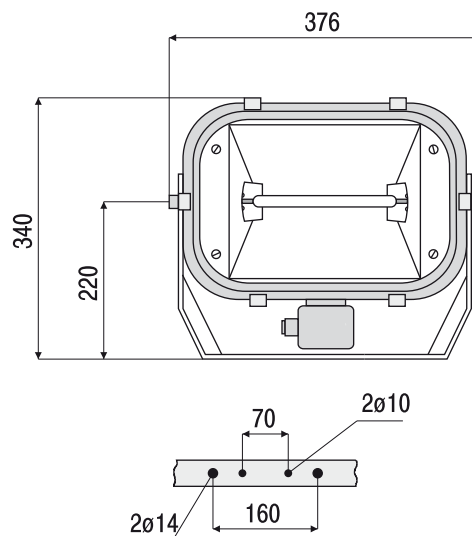
Electrical connection
see finish section

1.10

OPTIONS

Narrow Beam Reflektor

SC-Glands for screen cable



[mm]

