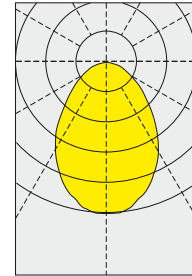
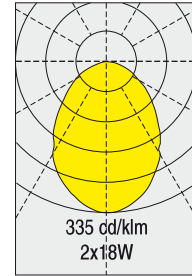
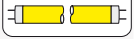


**IP 44**

**230V  
50Hz**

**G13**



Type	Light source	Light source power / lamp base	Weight
DEP 28 - 2180	fluorescent lamp	2 x 18 W / G 13	4,9 kg
DEP 28 - 2360		2 x 36 W / G 13	6,9 kg

**Application**  
passage ways, cabins, lounges, dining rooms, accomodation areas

**Approvals**  
according to the rules of relevant classification societies, additional IEC

**Protection class**  
IP 44 in conjunction with ceiling

**Housing**  
zinc coated steel, powder coated white

**Diffuser**  
PMMA icecrystal  
**Lamps ( not included )**  
fluorescent lamp 18W/36W

**Electric**  
flexible wiring, heat resistant up to + 105°Ce entry

**Cable entry**  
2 cable entries ø 20mm

**Mounting**  
4 mounting brackets, cut out  
18W: 630 x 236 mm.  
36W: 1240 x 236 mm

**Electrical connection**  
see finish section

# 3.10

## OPTIONS

**220V  
60Hz**

**230V  
60Hz**

**120V  
60Hz**

**240V  
50Hz**

**24V DC**

**Electronic Ballast**

220V-240V  
50Hz-60Hz

220V-240V  
DC

**Dimmable Electronic Ballast**

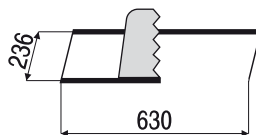
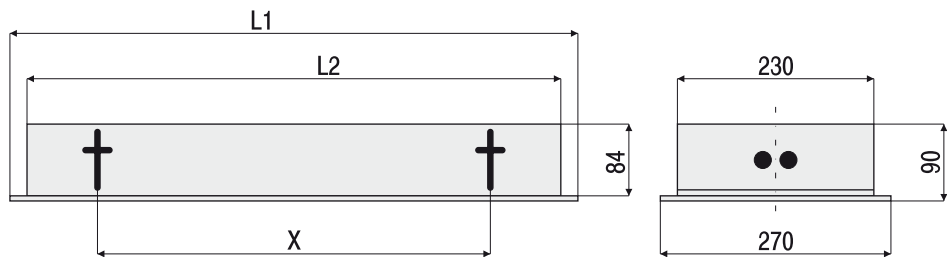
220V-240V  
50Hz-60Hz

**Battery Backup System**

220V-240V  
50Hz-60Hz

**1h or 3h**

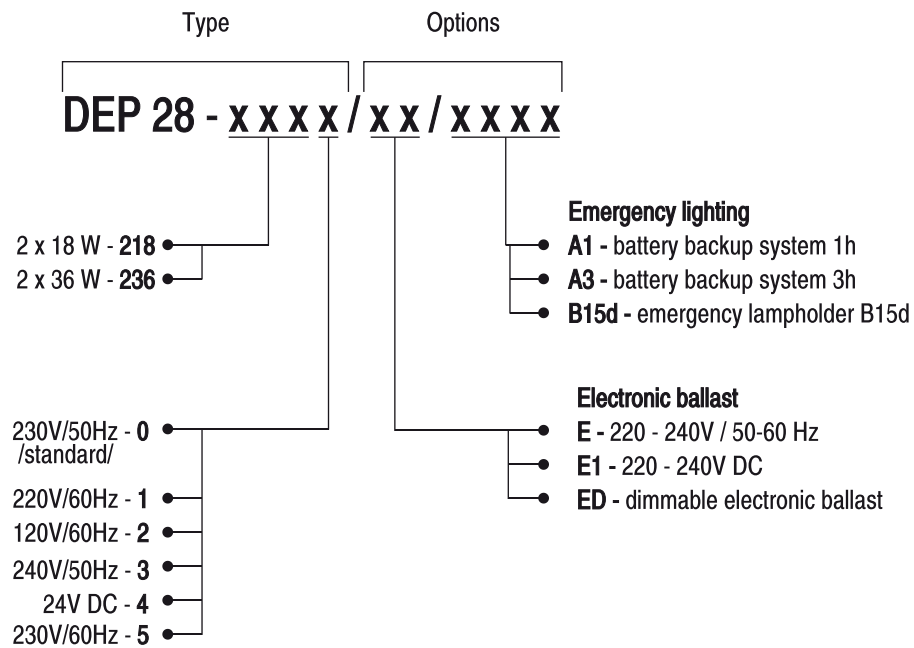
**Emergency Lampholder B15d**



Type	L1	L2	X
DEP 28/2x18W	665	625	460
DEP 28/2x36W	1275	1235	1070



### Order Specification



Example of type description

**DEP 28 - 2180** light fitting for two fluorescent lamp 18W with socket G13; supply voltage 230V/50Hz;

# 3.11

**Spare parts for ceiling luminaire DEP 28 - 2180**

No.	Spare parts	Part-no.
1	Diffuser PMMA, icecrystal	101 00 28218
2	Lampholder G 13 /4 pcs./	014 00 28218
3	Ballast /2 pcs./	032 00 28218
4	Capacitor	021 00 28218

**Spare parts for ceiling luminaire DEP 28 - 2360**

No.	Spare parts	Part-no.
1	Diffuser PMMA, icecrystal	101 00 28236
2	Lampholder G 13 /4 pcs./	014 00 28236
3	Ballast /2 pcs./	032 00 28236
4	Capacitor	021 00 28236